

# IBM Virtual Desktop for Smart Business 6.0

*Simplified, affordable remote access to desktop PCs with VERDE 6 from Virtual Bridges*



---

## Highlights:

- Reduce the total cost of ownership for employee desktops by spending less time and money building, managing, patching, upgrading and supporting PCs
  - Reduce the resources spent on deploying and upgrading operating systems and desktop software
  - Provide secure remote access to user desktops and applications while keeping your confidential data safe and backed up
  - Deliver a high quality user experience quickly and easily, regardless of time, location, connection or device
- 

While business owners seek ways to empower their employees with advanced desktop and mobile technologies, IT decision makers must manage this evolving environment and deal with Windows 7 migration and application software upgrades—all without driving costs up. The complexity associated with PC upgrades and operating system deployments must be kept to a minimum or, ideally, reduced. Finally, IT teams are responsible for downtime associated with PC failure and theft, as well as the security of the data kept on an organization's desktops and laptops.

IBM® Virtual Desktop for Smart Business 6.0 is designed to enhance the overall quality and reliability of virtual desktops, with options that cover a range of end-user audiences: task workers, knowledge workers, mobile users and temporary workers. Unlike first generation virtual desktop infrastructure (VDI) solutions, the latest offering from IBM can transform end user computing by optimizing both IT efficiency and user flexibility. It is designed to give users constant, consistent, high quality access to virtual desktops from a variety of end point devices with enhanced management, integration, disaster recovery and mobility capabilities.



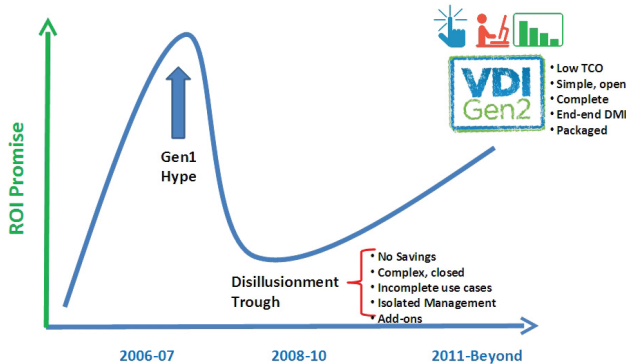


Figure 1: Gen 1 vs Gen 2 VDI

## What's new in 6.0

IBM Virtual Desktop for Smart Business 6.0 features an array of second generation VDI technologies and advancements based on VERDE from Virtual Bridges that set it apart from prior solutions. This solution now extends enterprise-class security to the desktop, higher availability, reliable backup and management, and an open architecture using technologies such as Kernel-based Virtual Machine (KVM) for optimized performance and scalability.

With the proliferation of iPads and other innovative mobile devices, the demand for second-generation VDI has only increased. VERDE is designed to make adoption of these new devices as easy as possible, providing end users access to both Windows and Linux desktops from any location or device—including tablets, notebooks, laptops and thin clients. Virtual Desktop for Smart Business 6.0 is also designed for seamless integration with IBM Tivoli® Endpoint Manager, as well as other environments already in place, and features extended end user coverage with support for Windows XP, Windows 7 and Linux PC environments.

By moving desktops into the data center and isolating user access based on needs, VERDE eliminates many of the challenges associated with securing highly distributed PC environments.

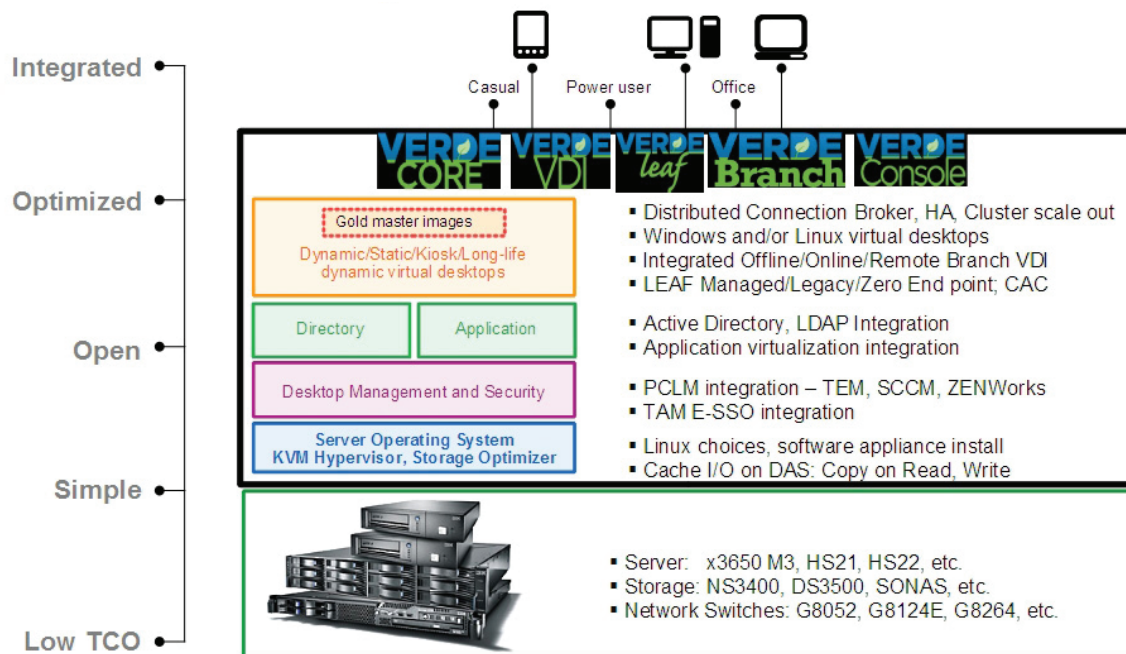
Version 6.0 provides additional capabilities in the following areas:

- **Integration:** integrated application management with application virtualization products can provide more flexibility and choice in integrating virtual desktops into the existing IT applications and infrastructure
- **Manageability:** achieve better control of the desktop management infrastructure and desktop images
- **Storage optimization:** enhanced storage optimization and cache I/O technology
- **Disaster recovery:** additional capabilities in clustering and automated fail-over
- **End user experience:** single sign-on and wider choice of desktop types provides more flexibility and choice to end users

Taken altogether, IBM Virtual Desktop for Smart Business 6.0 can bring new life to VDI, improving organizational agility, lowering business risks and decreasing total cost of ownership. Furthermore, a modular approach allows organizations to run applications on one server as well as scale horizontally in blocks, data centers, decentralized configurations and service provider environments. The solution can support one to hundreds of thousands of desktops to meet the needs of small or large organizations.

IBM Virtual Desktop for Smart Business 6.0 with Virtual Enterprise Remote Desktop Environment (VERDE) from Virtual Bridges is designed to provide an end-to-end desktop management solution combining VDI, integrated offline VDI (for disconnected and mobile use), and remote branch support. It offers availability to personal PC desktops anywhere, and includes the capabilities to:

- Rapidly install and deploy Windows and Linux virtual desktops on a single server with the option to expand as required
- Access desktop images from a variety of end-user devices such as iPads, thin clients, old desktops, netbooks and laptops
- Deliver integrated offline VDI and branch VDI to remote users
- Easily configure and manage the virtual desktop environment
- Back up and recover virtual desktops easily and seamlessly



TEM: Tivoli Endpoint Manager; TAM E-SSO: Tivoli Access Manager Enterprise Single Sign On  
 HA: High Availability; CAC: Common Access Card; DAS: Direct Attached Storage; PCLM: PC Lifecycle Management  
 LEAF: Live Environment Access Format; VERDE: Virtual Enterprise Remote Desktop Environment  
 SCCM: Microsoft Systems Center Configuration Manager; KVM: Kernel-based Virtual Machine

Figure 2: What is Virtual Desktop for Smart Business with VERDE?

This open architecture based software appliance can be combined with compute, storage, network, and services from IBM/Business Partners. Out of the box integration is available with IBM Tivoli TAM Enterprise Single Sign On software, and cloud hosted delivery.

With remote, branch, online and offline access, VERDE expands VDI coverage to meet the demands of a highly mobile workforce. This multifaceted approach helps users receive the same high quality experience regardless of location and connection status.

Virtual desktops can improve agility and efficiency of end users across several industries. Examples include:

### Healthcare

- Healthcare providers assisting patients in hospitals/ clinics/ doctors offices/health centers
- Patient and employee kiosks
- Call center reps working in a captive center or from home
- First responder emergency services team members securely collaborating across organizations
- Mobile care providers with simplified clinical work flows
- Researchers/clinicians/ patients/contract research organizations improving translational research
- Facility management resources benefiting from business continuity

## Financial Institutions

- Advisors, associates, agents, and case workers, working with clients
- Traders in the trade floor or working from home
- Tellers, supervisors, and advisors in banks and credit unions
- Call center agents

See more details in Figure 3.

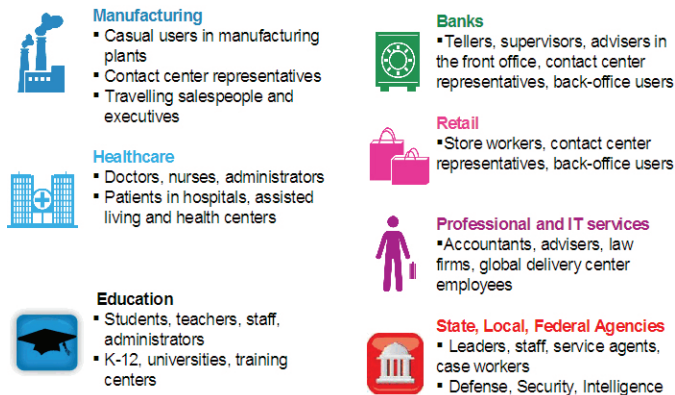


Figure 3: Examples of virtual desktops.

## For more information

To learn more about Virtual Desktop for Smart Business 6.0, please contact your IBM marketing representative or IBM Business Partner, or visit the following website:

[ibm.com/smarterplanet/us/en/smartbusiness/virtualdesktop/index.html](http://ibm.com/smarterplanet/us/en/smartbusiness/virtualdesktop/index.html)



© Copyright IBM Corporation 2011

IBM Corporation  
Software Group  
Route 100  
Somers, NY 10589  
U.S.A.

Produced in the United States of America  
October 2011  
All Rights Reserved

IBM, the IBM logo, ibm.com, and Tivoli are trademarks of International Business Machines Corporation in the United States, other countries or both. If these and other IBM trademarked terms are marked on their first occurrence in this information with a trademark symbol (® or TM), these symbols indicate U.S. registered or common law trademarks owned by IBM at the time this information was published. Such trademarks may also be registered or common law trademarks in other countries. A current list of IBM trademarks is available on the Web at "Copyright and trademark information" at: [ibm.com/legal/copytrade.shtml](http://ibm.com/legal/copytrade.shtml)

Microsoft, Windows, Windows NT, and the Windows logo are trademarks of Microsoft Corporation in the United States, other countries, or both.



Please Recycle